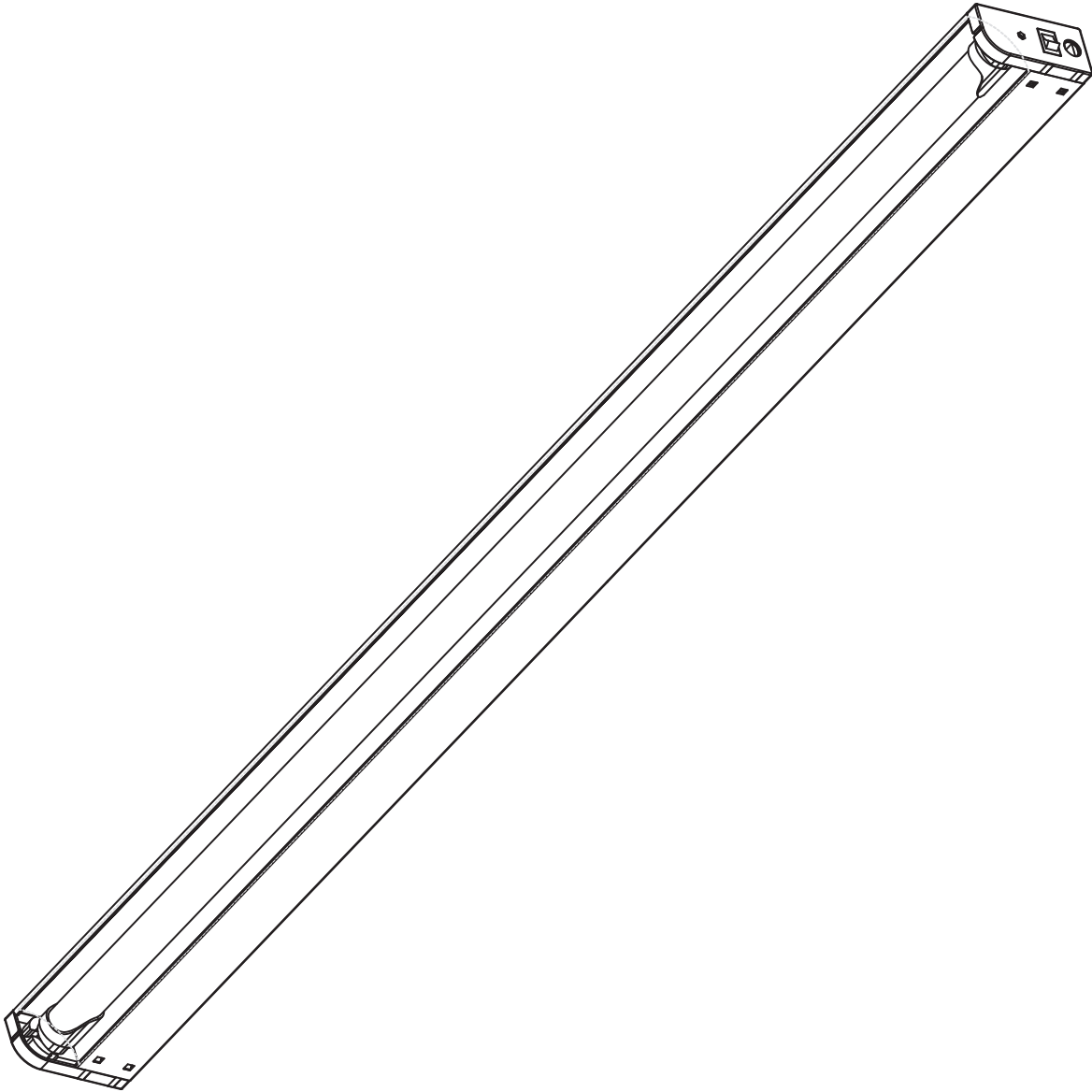


# ELIMINATOR<sup>®</sup>

LIGHTING



## UVLED 48EL

User Manual

©2023 **Eliminator Lighting** all rights reserved. Information, specifications, diagrams, images, and instructions herein are subject to change without notice. Eliminator logo and identifying product names and numbers herein are trademarks of Eliminator Lighting. Copyright protection claimed includes all forms and matters of copyrightable materials and information now allowed by statutory or judicial law or hereinafter granted. Product names used in this document may be trademarks or registered trademarks of their respective companies and are hereby acknowledged. All non-Eliminator brands and product names are trademarks or registered trademarks of their respective companies.

**Eliminator Lighting** and all affiliated companies hereby disclaim any and all liabilities for property, equipment, building, and electrical damages, injuries to any persons, and direct or indirect economic loss associated with the use or reliance of any information contained within this document, and/or as a result of the improper, unsafe, insufficient and negligent assembly, installation, rigging, and operation of this product.

**Eliminator Lighting**

6122 S. Eastern Ave. Los Angeles, CA. 90040  
323-582-2650 | Fax 323-532-2941 | [www.adj.com](http://www.adj.com) | [info@adj.com](mailto:info@adj.com)

**ADJ SUPPLY Europe B.V**

Junostraat 2 6468 EW Kerkrade, The Netherlands  
+31 (0)45 546 85 00 | Fax +31 45 546 85 99  
[www.adj.eu](http://www.adj.eu) | [info@adj.eu](mailto:info@adj.eu)

**ADJ PRODUCTS GROUP Mexico**

AV Santa Ana 30 Parque Industrial Lerma, Lerma, Mexico 52000  
+52 (728) 282-7070

**DOCUMENT VERSION**



Due to additional product features and/or enhancements, an updated version of this document may be available online. Please check [www.adj.com](http://www.adj.com) for the latest revision/update of this manual before beginning installation and/or programming.

Date	Document Version	Software Version >	DMX Channel Mode	Notes
11/09/23	1.0	N/A	N/A	Initial release

# CONTENTS

<b>General Information</b>	<b>4</b>
<b>Limited Warranty (USA Only)</b>	<b>5</b>
<b>Warranty Registration   Features</b>	<b>6</b>
<b>Safety Guidelines</b>	<b>7</b>
<b>Installation Guidelines</b>	<b>8</b>
<b>Operation   Trouble Shooting   Cleaning</b>	<b>10</b>
<b>Maintenance</b>	<b>11</b>
<b>Specifications</b>	<b>12</b>
<b>Dimensional Drawings</b>	<b>13</b>

# GENERAL INFORMATION

To optimize the performance of this product, please read these operating instructions carefully and familiarize yourself with the basic operations of this unit. These instructions contain important safety information regarding the use and maintenance of this unit. Please keep this manual with the unit for future reference. **This unit is intended for use by trained professionals only, and is not suitable for private use.**

## INTRODUCTION

This device is a 4-foot black light fixture that provides the affordability and footprint of a traditional florescent black light tube and fixture but with the super long life of LED. This fixture is equipped with a UV tube with 96 0.3W SMD UV LEDs, produces a beam angle of 120-degrees, and is easy to operate with a simple On/Off switch.

## UNPACKING

This device has been thoroughly tested and has been shipped in perfect operating condition. Carefully check the shipping carton for damage that may have occurred during shipping. If the carton appears to be damaged, carefully inspect your fixture for damage and be sure all accessories necessary to operate the unit have arrived intact. In the event that damage has been found or parts are missing, please contact our customer support team for further instructions. Please do not return this fixture to your dealer without first contacting customer support at the number listed below. Please do not discard the shipping carton in the trash. Please recycle whenever possible.

## CUSTOMER SUPPORT

Tel: (323) 213-4592 | Fax: (323) 582-2941

[www.adj.com](http://www.adj.com) | [support@eliminatorlighting.com](mailto:support@eliminatorlighting.com)

**Warning!** To prevent or reduce the risk of electrical shock or fire, do not expose this unit to rain or moisture.

**Caution!** There are no user serviceable parts inside this unit. Do not attempt any repairs yourself, as doing so will void your manufacturer's warranty. In the event that your unit requires service, please contact Eliminator Lighting for assistance.

***PLEASE recycle the shipping carton when ever possible.***

## LIMITED WARRANTY (USA ONLY)

- A. Eliminator Lighting, an ADJ Products, LLC brand, hereby warrants, to the original purchaser, Eliminator Lighting products to be free of manufacturing defects in material and workmanship for a prescribed period from the date of purchase (see specific warranty period on reverse). This warranty shall be valid only if the product is purchased within the United States of America, including possessions and territories. It is the owner's responsibility to establish the date and place of purchase by acceptable evidence, at the time service is sought.
- B. For warranty service, you must obtain a Return Authorization number (RA#) before sending back the product—please contact ADJ Products, LLC Service Department at 800-322-6337. Send the product only to the Eliminator Lighting factory. All shipping charges must be pre-paid. If the requested repairs or service (including parts replacement) are within the terms of this warranty, Eliminator Lighting will pay return shipping charges only to a designated point within the United States. If the entire instrument is sent, it must be shipped in its original package. No accessories should be shipped with the product. If any accessories are shipped with the product, Eliminator Lighting shall have no liability whatsoever for loss of or damage to any such accessories, or for the safe return thereof.
- C. This warranty is void if the serial number has been altered or removed; if the product is modified in any manner which Eliminator Lighting concludes, after inspection, affects the reliability of the product, if the product has been repaired or service by anyone other than ADJ Products, LLC factory unless prior written authorization was issued to purchaser by Eliminator Lighting; if the product is damaged because not properly maintained as set forth in the instruction manual.
- D. This is not a service contract, and this warranty does not include maintenance, cleaning or periodic check up. During the period specified above, Eliminator Lighting will replace defective parts at its expense with new or refurbished parts, and will absorb all expenses for warranty service and repair labor by reason of defects in material or workmanship. The sole responsibility of Eliminator Lighting under this warranty shall be limited to the repair of the product, or replacement thereof, including parts, at the sole discretion of Eliminator Lighting. All products covered by this warranty were manufactured after August 15, 2012, and bear identifying marks to that effect.
- E. Eliminator Lighting reserves the right to make changes in design and/or improvements upon its products without any obligation to include these changes in any products theretofore manufactured.
- F. No warranty, whether expressed or implied, is given or made with respect to any accessory supplied with products described above. Except to the extent prohibited by applicable law, all implied warranties made by Eliminator Lighting in connection with this product, including warranties of merchantability or fitness, are limited in duration to the warranty period set forth above. And no warranties, whether expressed or implied, including warranties of merchantability or fitness, shall apply to this product after said period has expired. The consumer's and/or Dealer's sole remedy shall be such repair or replacement as is expressly provided above; and under no circumstances shall Eliminator Lighting be liable for any loss or damage, direct or consequential, arising out of the use of, or inability to use, this product.
- G. This warranty is the only written warranty applicable to Eliminator Lighting products and supersedes all prior warranties and written descriptions of warranty terms and conditions heretofore published.

### MANUFACTURER'S LIMITED WARRANTY PERIODS

- **Non L.E.D. Eliminator Lighting products** = 1-year (365 days) Limited Warranty (Such as: Special Effect Lighting, Intelligent Lighting, UV lighting, Strobes, Fog Machines, Bubble Machines, Mirror Balls, Par Cans, Trussing, Lighting Stands etc., excluding lamps)
- **L.E.D. Eliminator Lighting Products** = 2-year (730 days) Limited Warranty (excluding batteries which have a 180 day limited warranty). Note: 2 Year Warranty only applies to purchases within the United States.
- **Eliminator Laser Products** = 1 Year (365 Days) Limited Warranty (excluding laser diodes which have a 6 month limited warranty)

# WARRANTY REGISTRATION

This device carries a 1 year (365 days) limited warranty. Please fill out the enclosed warranty card to validate your purchase and warranty. You may also register your product online at [www.adj.com](http://www.adj.com). All returned service items, whether under warranty or not, must be freight pre-paid and accompanied by a return authorization (R.A.) number. If the unit is under warranty, you must provide a copy of your proof of purchase invoice. Please contact ADJ customer support for an R.A. number.

## FEATURES

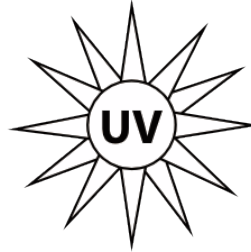
- 4-foot black light fixtures
- UV tube - 96x 0.3W SMD UV LEDs
- 120-degree beam angle
- On/Off switch
- Removable, replaceable LED
- Minimal maintenance requirements

# SAFETY GUIDELINES

- NOT FOR RESIDENTIAL USE. DRY LOCATIONS ONLY!
- DO NOT SPILL WATER AND/OR ANY LIQUIDS INTO, ON, OR NEAR THE FIXTURE.
- TO PREVENT OR REDUCE THE RISK OF ELECTRICAL SHOCK AND/OR FIRE, DO NOT EXPOSE THIS DEVICE TO RAIN AND/OR MOISTURE.



## HIGH INTENSITY ULTRAVIOLET LIGHT

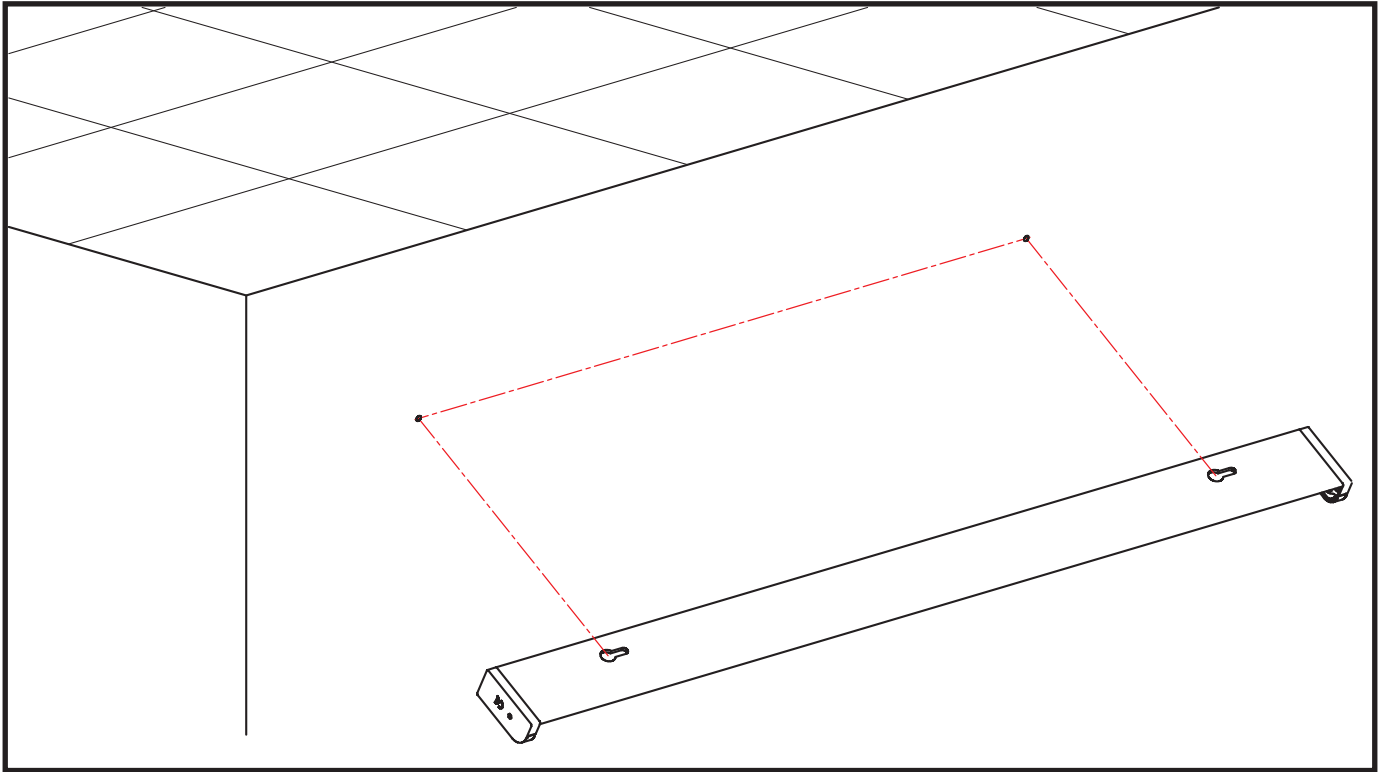


**AVOID DIRECT EYE & SKIN EXPOSURE.  
WEAR PROPER EYE & SKIN PROTECTION.  
SEE MANUAL FOR SAFETY INSTRUCTIONS.**

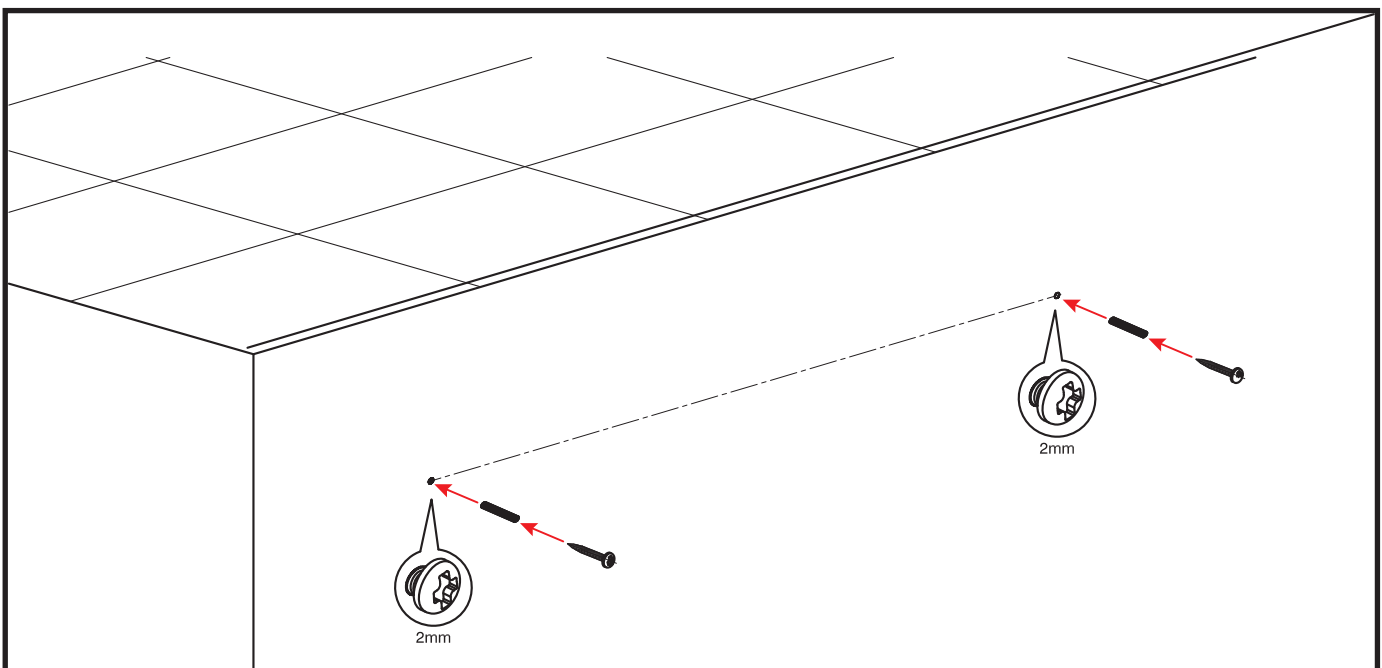
- RISK GROUP 3 - WARNING!
- THIS FIXTURE EMITS ULTRAVIOLET RADIATION (UV) AT A PRIMARY WAVELENGTH OF 395NM - 410NM.
- AVOID EYE AND/OR SKIN EXPOSURE AT DISTANCES SHORTER THAN 3.3 feet (1m).
- DO NOT LOOK DIRECTLY INTO THE BEAM AT DISTANCES SHORTER THAN 11 feet (3.3m) AND/OR VIEW THE BEAM DIRECTLY WITH OPTICAL INSTRUMENTS THAT MAY CONCENTRATE THE LIGHT/RADIATION OUTPUT.
- INDIVIDUALS SUFFERING FROM A RANGE OF EYE CONDITIONS, SUNLIGHT EXPOSURE DISORDERS, OR INDIVIDUALS USING PHOTSENSITIVE MEDICATION, MAY EXPERIENCE DISCOMFORT IF EXPOSED TO THE ULTRAVIOLET LIGHT EMITTED FROM THIS FIXTURE.
  
- There are no user serviceable parts inside this unit. Do not attempt any repairs yourself, as doing so will void the manufacturer's warranty. If your unit requires service, please contact customer service.
- Confirm power source provides the required voltage for this fixture.
- Do not operate fixture if the power cord is frayed or broken.
- Do not remove or break off the ground prong from the power cord.
- Never plug this fixture into a dimmer pack.
- Do not operate this fixture if it has been damaged in any way.
- Disconnect power during long periods of non-use.
- Always mount this fixture to a flat, stable surface.
- This fixture should be installed away from any heat sources, such as radiators, heat resistors, stoves, amplifiers, and direct sunlight.

# INSTALLATION GUIDELINES

1. Carefully measure the distance between the mounting holes on the fixture, then drill two holes in the mounting surface at the corresponding distance. Make sure the holes are drilled at the same height to ensure the fixture will mount in a level orientation.



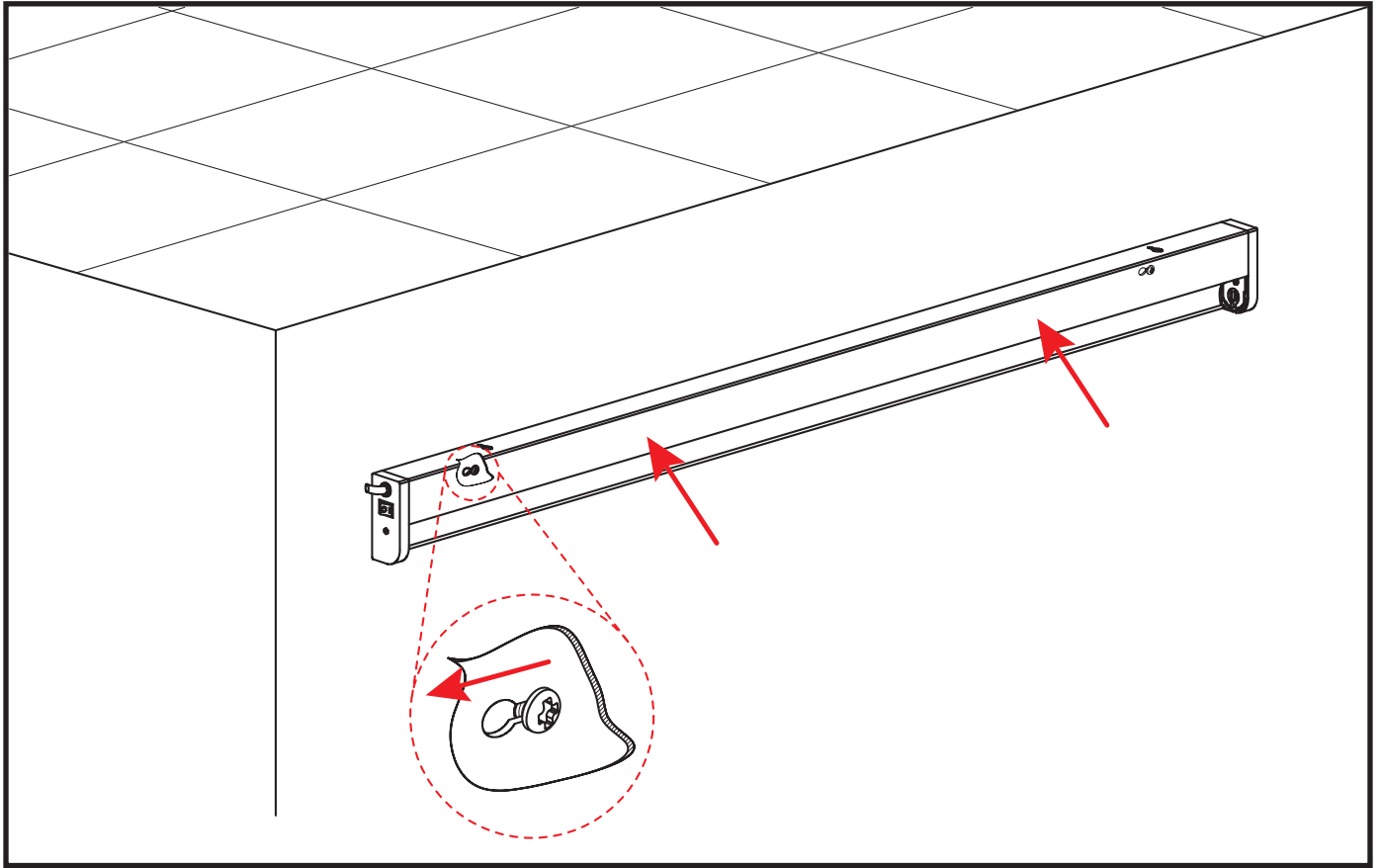
2. Insert a mounting anchor of the proper size and weight rating in each hole, then thread one screw of the proper size and weight rating into each anchor. Please note that mounting hardware is not included. Do not tighten the screws down completely! Leave a gap of approximately 2mm between the mounting surface and the head of each screw.





# INSTALLATION GUIDELINES

3. Insert the wide, circular portion of the fixture mounting holes over the mounting screws, then slide the fixture to the left in order to secure the mounting screws in the narrow portion of the mounting holes. Installation is now complete.



# OPERATION

This device features an automatic voltage switch, which will automatically sense the voltage when it is plugged into the power source. With this switch, there is no need to worry about wall voltage, and this unit can be plugged in almost anywhere.

This fixture is designed to operate as a stand alone unit, and there is no need for a controller. Each fixture has been thoroughly tested prior to shipments, and there is no assembly necessary prior to operation.

Plug the unit into a power source and switch the device on. The fixture should light up immediately when powered on.

# CLEANING

Due to fog residue, smoke, and dust, cleaning of the internal and external optical lenses must be carried out periodically in order to optimize light output. Use normal glass cleaner and a soft cloth to wipe down the outside casing and LED bulb. Cleaning frequency depends on the environment in which the fixture operates (i.e. smoke, fog residue, dust, dew).

# TROUBLE SHOOTING

Below is a common problem that the user may encounter, with possible solutions.

## ***No light output from fixture:***

- Check power switch is in the ON position.
- Check that the fixture is receiving power.
- Check if the circuit breaker for the power outlet that the fixture is connected to has not been tripped.
- Contact ADJ Customer Support if none of the above solves the problem.

# MAINTENANCE



**DISCONNECT POWER BEFORE PERFORMING ANY MAINTENANCE!**

## CLEANING

Frequent cleaning is recommended to ensure proper function, optimized light output, and an extended life. The frequency of cleaning depends on the environment in which the fixture operates: damp, smoky, or particularly dirty environments can cause greater accumulation of dirt on the fixture. Clean regularly with a soft cloth to avoid dirt/debris accumulation.

**NEVER** use alcohol, solvents, or ammonia-based cleaners.

## MAINTENANCE

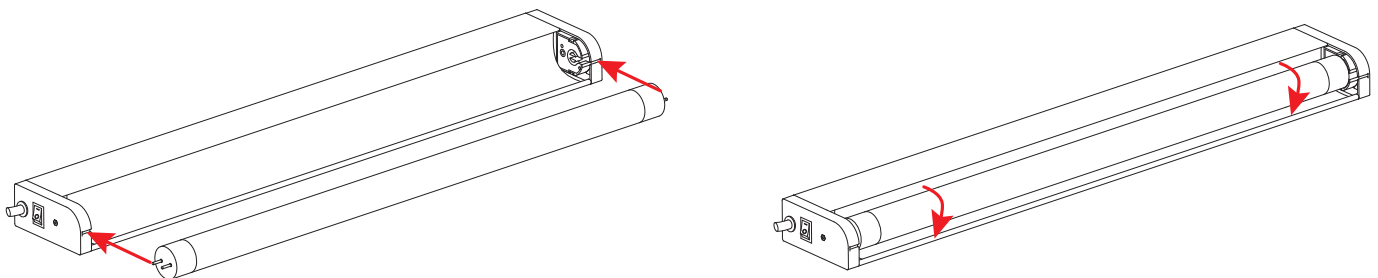
Regular inspections are recommended to ensure proper function and extended life. There are no user serviceable parts inside this fixture. Please refer all other service issues to an authorized Eliminator service technician. Should you need any spare parts, please order genuine parts from your local Eliminator dealer.

Please refer to the following points during routine inspections:

- A detailed electrical check by an approved electrical engineer every three months, to make sure the circuit contacts are in good condition and prevent overheating.
- Be sure all screws and fasteners are securely tightened at all times. Loose screws may fall out during normal operation, resulting in damage or injury as larger parts could fall.
- Check for any deformations on the housing, color lenses, rigging hardware, and rigging points (ceiling, suspension, trussing). Deformations in the housing could allow for dust to enter into the fixture. Damaged rigging points or unsecured rigging could cause the fixture to fall and seriously injure a person(s).
- Electric power supply cables must not show any damage, material fatigue, or sediments.

## LED TUBE INSTALLATION

To install the LED tube in the fixture, orient the prongs on each end of the LED tube so that they slide into the slots on the front of the fixture. Push the LED tube all the way in, then twist the tube downwards to lock the prongs in place. Refer to the illustration below.



# SPECIFICATIONS

- 4-foot (1200mm) black light bar with 96x 0.3W SMD UV LEDs
- Great for small performance stages, lounges, mobile productions and special effects installs
- Requires almost no maintenance: long life LED, low heat output, low power consumption & no moving parts
- Replaceable UV LED Bar
- Beam angle: 120-degrees
- Wavelength: 395-410nm
- Power Draw: 20W
- On/Off switch
- Attached power cord length: 3 feet / 1M
- Life expectancy: 50,000 hrs.
- Built-in mounting points
- Multi-voltage operation: AC 100-240V, 47/63Hz
- Dimensions (LxWxH): 48" x 1.7" x 3.7" / 1220 x 42 x 95mm
- Weight: 1.7 lbs. / 0.7 kgs.

# DIMENSIONAL DRAWINGS

